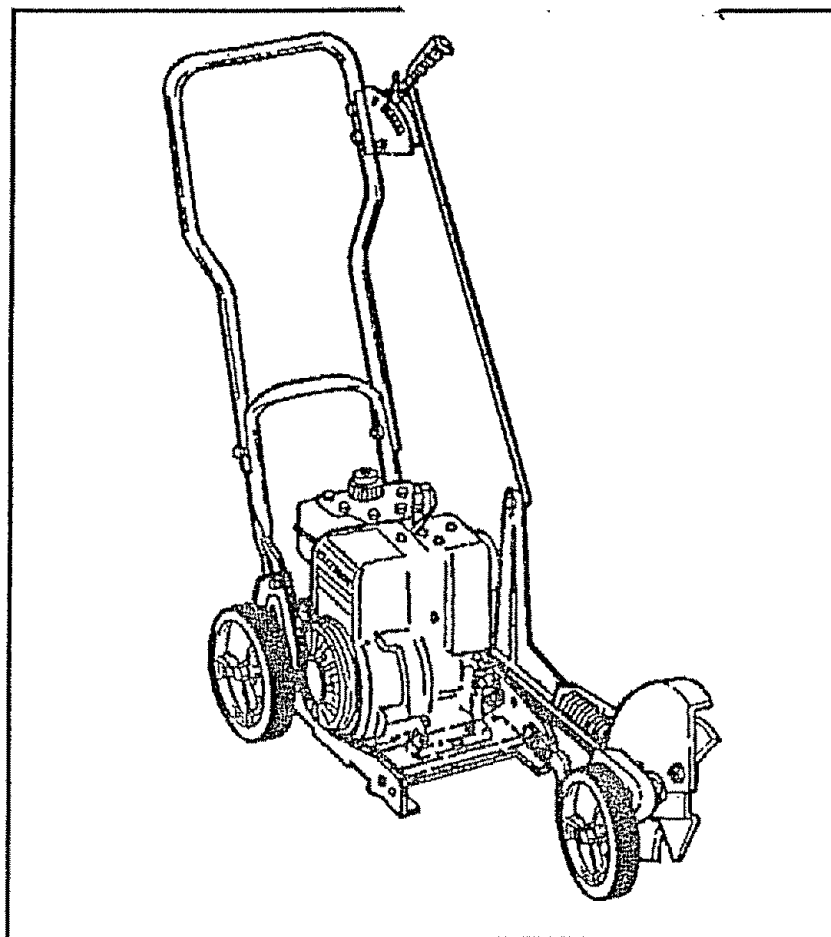


SEARS
OWNER'S
MANUAL

MODEL NO.
536.797510

Caution:
Read and Follow
All Safety Rules
and Instructions
Before Operating
This Equipment



CRAFTSMAN®

9 INCH - 2.5 HORSEPOWER
EDGER

- Assembly
- Operation
- Maintenance
- Service and Adjustments
- Repair Parts

SEARS, ROEBUCK AND CO., Chicago, IL 60684 U.S.A.

SAFETY RULES



CAUTION: ALWAYS DISCONNECT SPARK PLUG WIRE AND PLACE WIRE WHERE IT CANNOT CONTACT SPARK PLUG TO PREVENT ACCIDENTAL STARTING WHEN SETTING-UP, TRANSPORTING, ADJUSTING OR MAKING REPAIRS.



BEFORE USE

- Read the owner's manual carefully. Be thoroughly familiar with the controls and the proper use of the edger. Know how to stop the edger and disengage the controls quickly.
- Do not operate the edger without wearing adequate outer garments. Wear footwear that will improve footing on slippery surfaces.
- Keep the area of operation clear of all persons, particularly small children and pets.
- Thoroughly inspect the area where the edger is to be used and remove all foreign objects.
- Always wear safety glasses or eye shields during operation or while performing an adjustment or repair to protect your eyes from foreign objects that may be thrown from the edger.
- Do not put hands or feet near or under rotating parts.
- Exercise extreme caution when operating on or crossing gravel drives, walks, or roads. Stay alert for hidden hazards or traffic.
- Exercise caution to avoid slipping or falling.
- Never operate the edger without proper guards, plates, or other safety protective devices in place.
- Never operate the edger at high transport speeds on slippery surfaces. Look behind and use care when backing.
- Never allow bystanders near the edger.
- Keep children and pets away while operating.
- Never operate the edger without good visibility or light.
- Do not run the engine indoors. The exhaust fumes are dangerous (containing CARBON MONOXIDE, an ODORLESS and DEADLY GAS).
- Take all possible precautions when leaving the edger unattended. Stop the engine.
- Do not overload the edger capacity by attempting to edge too deep at too fast a rate.

FUEL SAFETY

- Handle fuel with care; it is highly flammable.
- Use an approved container.
- Check fuel supply before each use, allowing space for expansion as the heat of the engine and/or sun can cause fuel to expand.
- Fill fuel tank outdoors with extreme care. Never fill fuel tank indoors. Replace fuel tank cap securely and wipe up spilled fuel.
- Never remove the fuel tank cap or add fuel to a running or hot engine.
- Never store fuel or edger with fuel in the tank inside a building where fumes may reach an open flame.

OPERATING SAFETY

- Never allow children or young teenagers to operate the edger. Keep them away while it is operating. Never allow adults to operate the edger/trimmer without proper instruction.

SAFETY RULES

SAFE STORAGE

- Always refer to the owner's manual storage section for important details if the edger is to be stored for an extended period.
- Never leave the edger with fuel in the fuel tank inside a building where ignition sources are present such as water and space heaters, clothes dryers, and the like. Allow the engine to cool before placing in any enclosure.
- Keep the edger in safe working condition. Check all fasteners at frequent intervals for proper tightness.

REPAIR/ADJUSTMENTS SAFETY

- After striking a foreign object, stop the engine (motor). Remove the wire from the spark plug, and keep the wire away from the plug to prevent accidental starting. Thoroughly inspect the edger for any damage, and repair the damage before restarting and operating the edger.
- If the edger should start to vibrate abnormally, stop the engine (motor) and check immediately for the cause. Vibration is generally a warning of trouble.

- Stop the blade whenever you leave the operating position. Also, stop the engine and disconnect the spark plug wire before unclogging the blade and when making any repairs, adjustments, or inspections.
- When cleaning, repairing, or inspecting, shut-off the engine and make certain all moving parts have stopped.
- Never attempt to make any adjustments while the engine is running (except when specifically recommended by the manufacturer).



LOOK FOR THIS SYMBOL TO POINT OUT IMPORTANT SAFETY PRECAUTIONS. IT MEANS--ATTENTION!!! BECOME ALERT!!! YOUR SAFETY IS INVOLVED.

CONGRATULATIONS on your purchase of a Sears Craftsman Edger. It has been designed, engineered and manufactured to give you the best possible dependability and performance.

Should you experience any problem you cannot easily remedy, please contact your nearest Sears Service Center/Department. We have competent, well-trained technicians and the proper tools to service or repair this unit.

Please read and retain this manual. The instructions will enable you to assemble and maintain your edger properly. Always observe the "SAFETY RULES."

MODEL
NUMBER _____
DATE OF
PURCHASE _____

THE MODEL NUMBER WILL BE FOUND ON A DECAL ON THE FRAME OF THE EDGER BEHIND THE ENGINE.

YOU SHOULD RECORD BOTH MODEL NUMBER AND DATE OF PURCHASE AND KEEP IN A SAFE PLACE FOR FUTURE REFERENCE.

PRODUCT SPECIFICATIONS

HORSE POWER:	2.5 hp
DISPLACEMENT:	9.06 cu. in. (148 c.c)
GASOLINE CAPACITY:	1.0 qt. Unleaded (Regular)
LUBRICATION:	21 oz. SAE- 10W-30
SPARK PLUG : (GAP .030 in.)	Champion CJ -8 or Equivalent

MAINTENANCE AGREEMENT

A Sears Maintenance Agreement is available on this product. Contact your nearest Sears Store for details.

CUSTOMER RESPONSIBILITIES

- Read and observe the safety rules.
- Follow a regular schedule in maintaining, caring for and using your edger.
- Follow the instructions under "Maintenance" and "Storage" sections of this owner's manual.

ONE YEAR LIMITED WARRANTY ON CRAFTSMAN EDGER

For one year from the date of purchase, when this Craftsman Edger is maintained, lubricated and tuned-up according to the instructions in the owner's manual, Sears will repair, free of charge, any defect in material and workmanship.

If this Craftsman Edger is used for commercial or rental purposes, this warranty applies for only 90 days from the date of purchase.

This warranty does not cover the following:

- Expendable items which become worn during normal use, such as spark plugs, etc.
- Repairs necessary because of operator abuse or negligence, including bent crankshafts and the failure to maintain the equipment according to the instructions contained in the owner's manual.

WARRANTY SERVICE IS AVAILABLE BY RETURNING THE CRAFTSMAN EDGER TO THE NEAREST SEARS SERVICE CENTER/DEPARTMENT IN THE UNITED STATES. THIS WARRANTY APPLIES ONLY WHILE THIS PRODUCT IS IN USE IN THE UNITED STATES.

This warranty gives you specific legal rights, and you may also have other rights which may vary from state to state.

SEARS, ROEBUCK AND CO. Department 731CR-W Sears Tower, Chicago, IL. 60684

TABLE OF CONTENTS

SAFETY RULES2,3
 PRODUCT SPECIFICATIONS.....4
 CUSTOMER RESPONSIBILITIES.....4
 WARRANTY.....4
 TABLE OF CONTENTS5
 ASSEMBLY.....5-7
 OPERATION8-11

MAINTENANCE12-13
 SERVICE AND ADJUSTMENTS14-15
 STORAGE16
 TROUBLE SHOOTING17
 REPAIR PARTS (EDGER).....18-22
 REPAIR PARTS (ENGINE).....23-25
 PARTS ORDERING/SERVICE.....Back Cover

ASSEMBLY

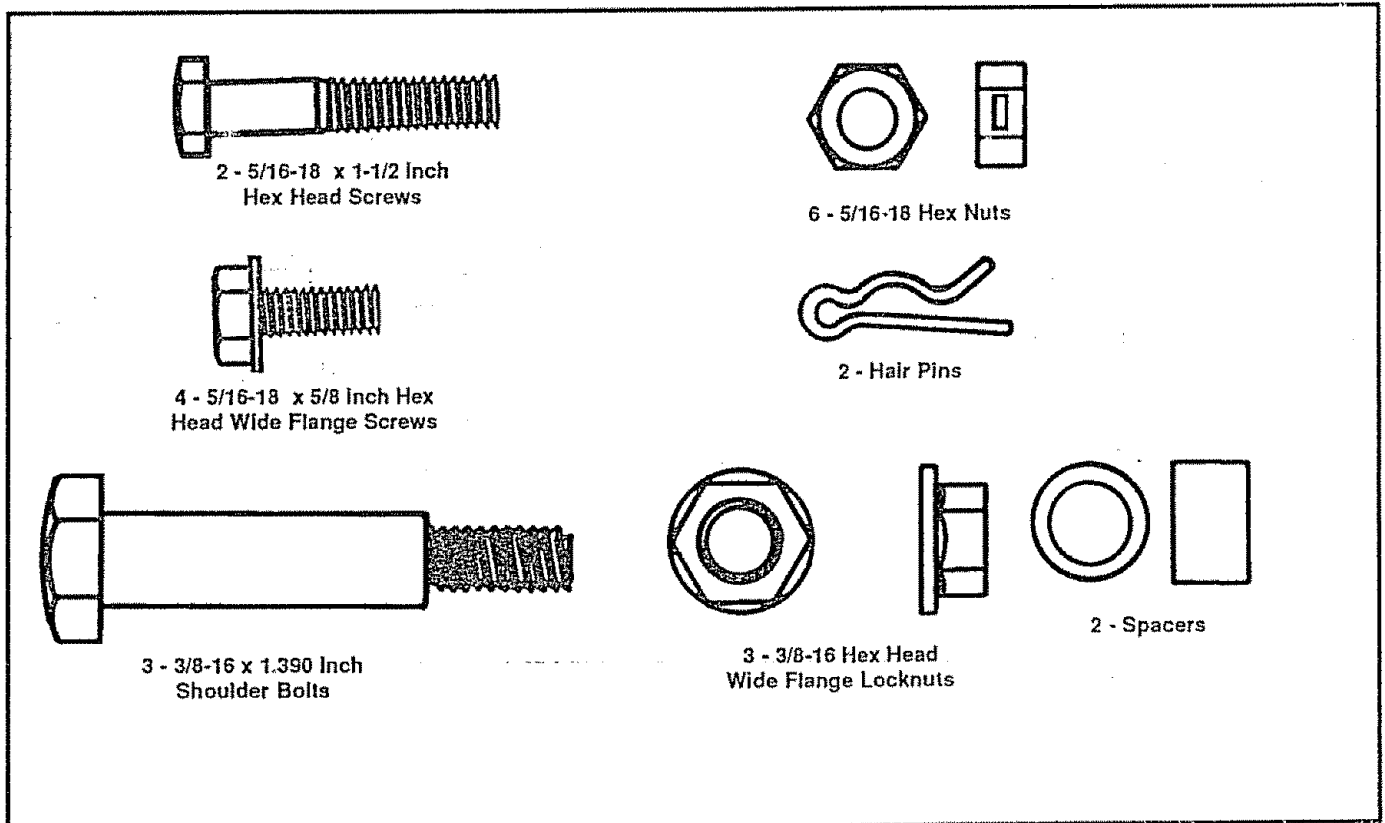
CONTENTS OF SHIPPING CARTON

- 1 - 9 inch Edger completely assembled except for the control rod, handles and wheels.
- 1 - Control Rod
- 1 - Owner's Manual (Not Shown)
- 1 - Parts Bag

TOOLS REQUIRED FOR ASSEMBLY

- 2 - 3/8 inch Wrenches (or adjustable wrenches)
- 2 - 1/2 inch Wrenches (or adjustable wrenches)
- 1 - Pair Pliers

CONTENTS OF PARTS BAG (shown actual size)



ASSEMBLY



CAUTION: ALWAYS WEAR SAFETY GLASSES OR EYE SHIELDS WHILE ASSEMBLING EDGER.

Figure 1 shows the edger completely assembled. Reference to the right and left hand side of the edger is from the operator's position behind the unit.

TO REMOVE EDGER FROM CARTON

- Open the top of the carton.
- Remove the packing material from the carton.
- Remove the plastic parts bag from the carton.
- Remove the control rod from the carton.
- Remove the handles from the carton.
- Cut down all four corners of the carton.

TO ASSEMBLE THE EDGER

- Attach each rear wheel, with the ribs to the outside, to the edger (See Fig. 2) with a 3/8-16 x 1.390 inch shoulder bolt, spacer and 3/8-16 hex wide flange lock nut (found in parts bag).

- Attach the front wheel, with the ribs to the outside, to the edger (See Fig. 2) with a 3/8-16 x 1.390 inch shoulder bolt and 3/8-16 hex wide flange lock nut (found in parts bag).

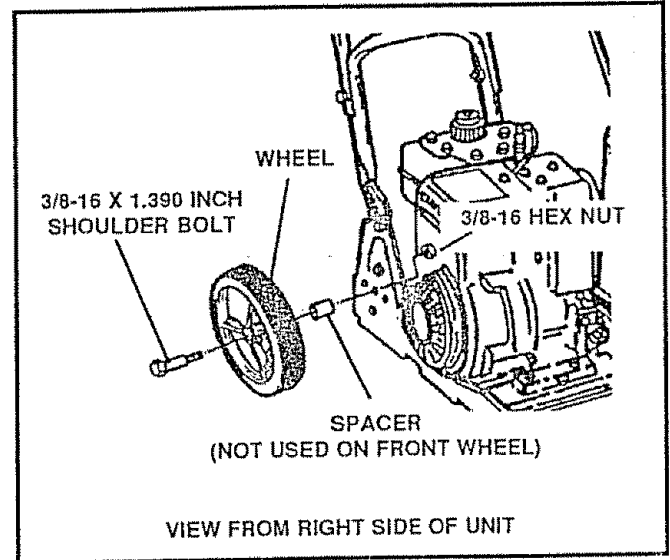


FIG. 2

- Place the lower handle inside the edger frame (See Fig. 3A) and secure in place with four (4) 5/16-18 hex head wide flange screws and four (4) 5/16 hex head locknuts (found in parts bag).

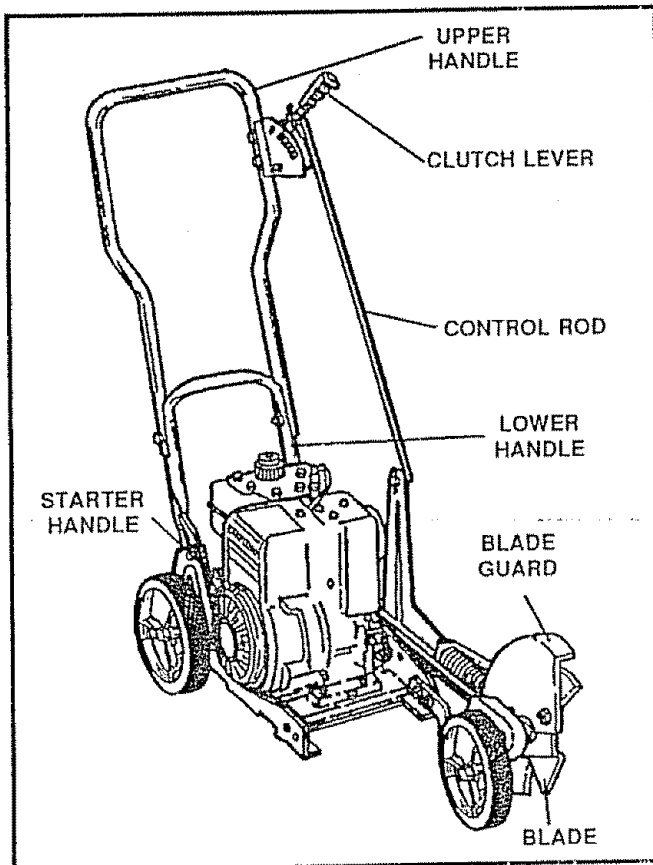


FIG. 1

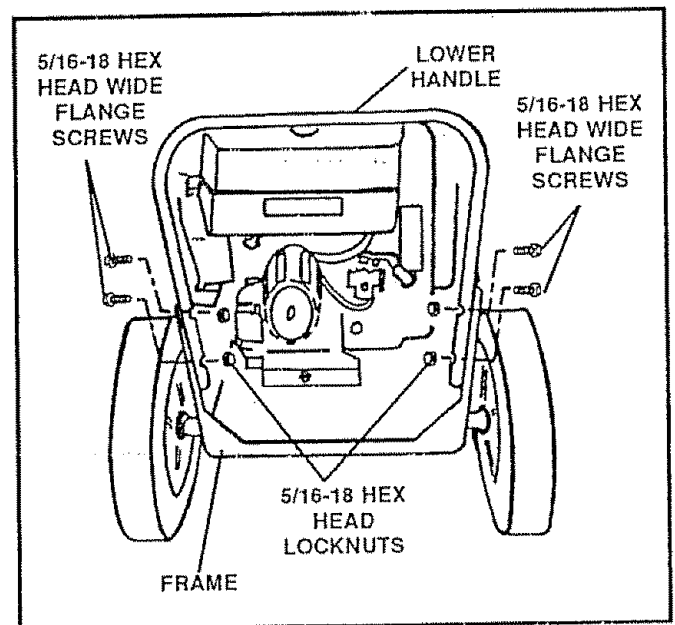


FIG. 3A

ASSEMBLY

- Place the upper handle on the lower handle (See Fig. 3B) and secure in place with two (2) 5/16-18 x 1-1/2 inch hex head screws and two (2) 5/16-18 head head locknuts (found in parts bag).
- Insert one end of the control rod through the hole in the clutch lever (See Fig. 4) and attach with a hair pin (found in the parts bag).
- Place the clutch lever in the first depth selection and insert the other end of the control rod through the hole in the quill support arm (See Fig. 4). Attach with hairpin (found in parts bag).
- Move the clutch lever to NEUTRAL position and latch into position.

NOTE: It may be necessary to loosen the four screws and nuts holding the lower handles to the frame (See Fig. 5). Pry up (forward) on the handles to allow the clutch lever to freely enter the NEUTRAL position. Retighten nuts and screws.

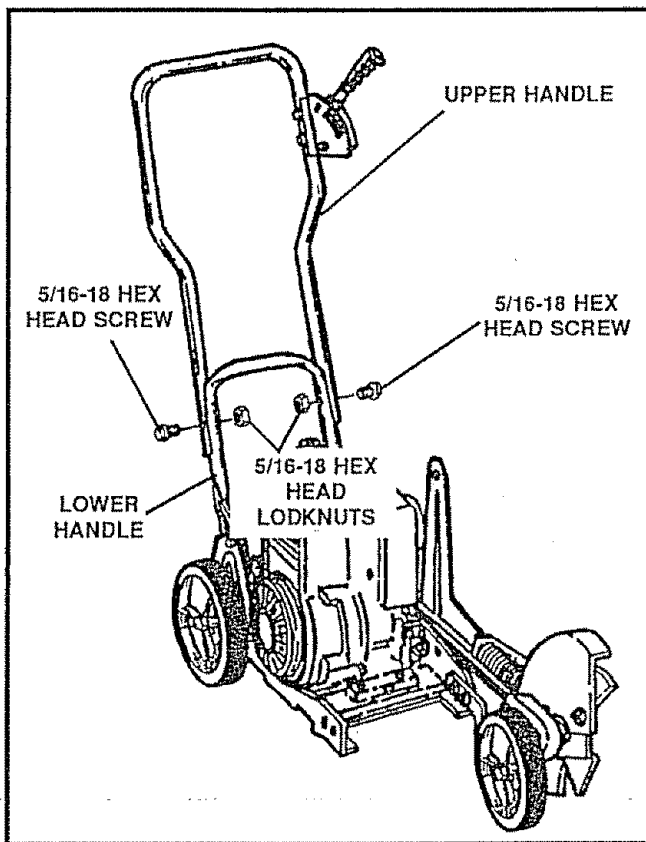


FIG. 3B

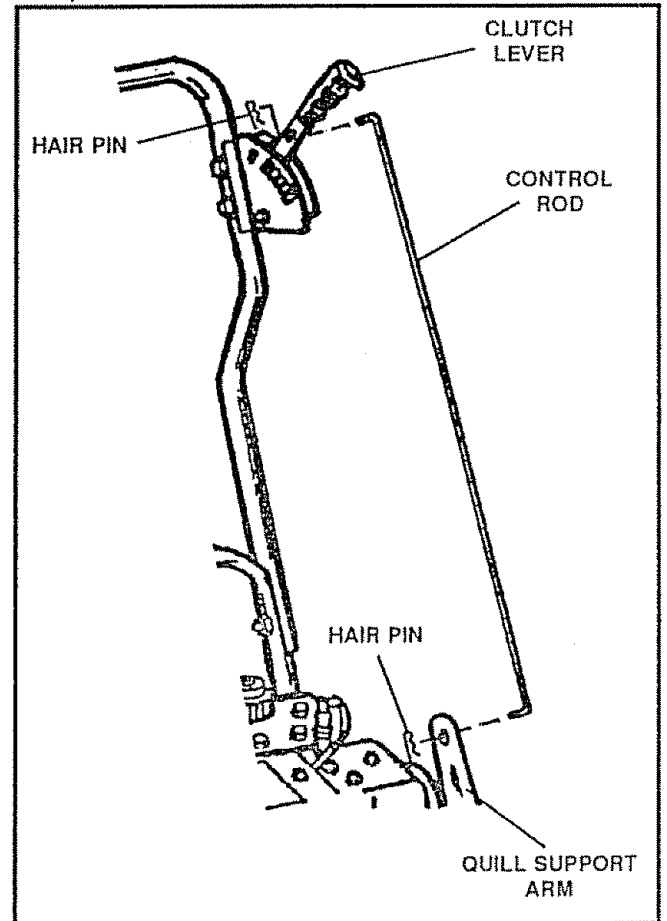


FIG. 4

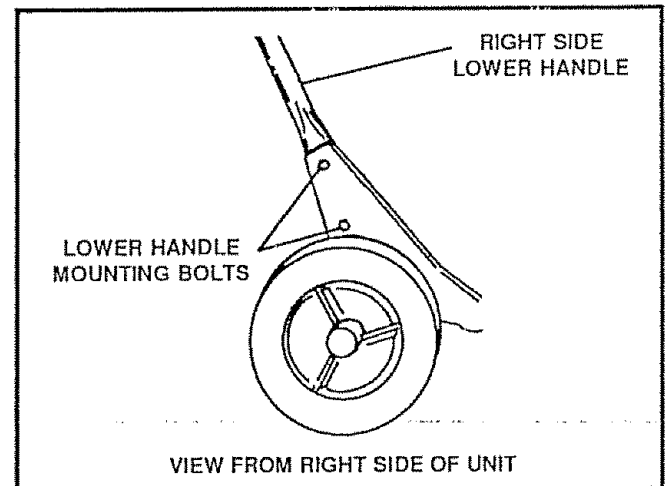


FIG. 5

OPERATION

KNOW YOUR EDGER

READ THIS OWNER'S MANUAL AND SAFETY RULES BEFORE OPERATING YOUR EDGER. Compare the illustrations with your edger to familiarize yourself with the location of various controls and adjustments. Save this manual for future reference.

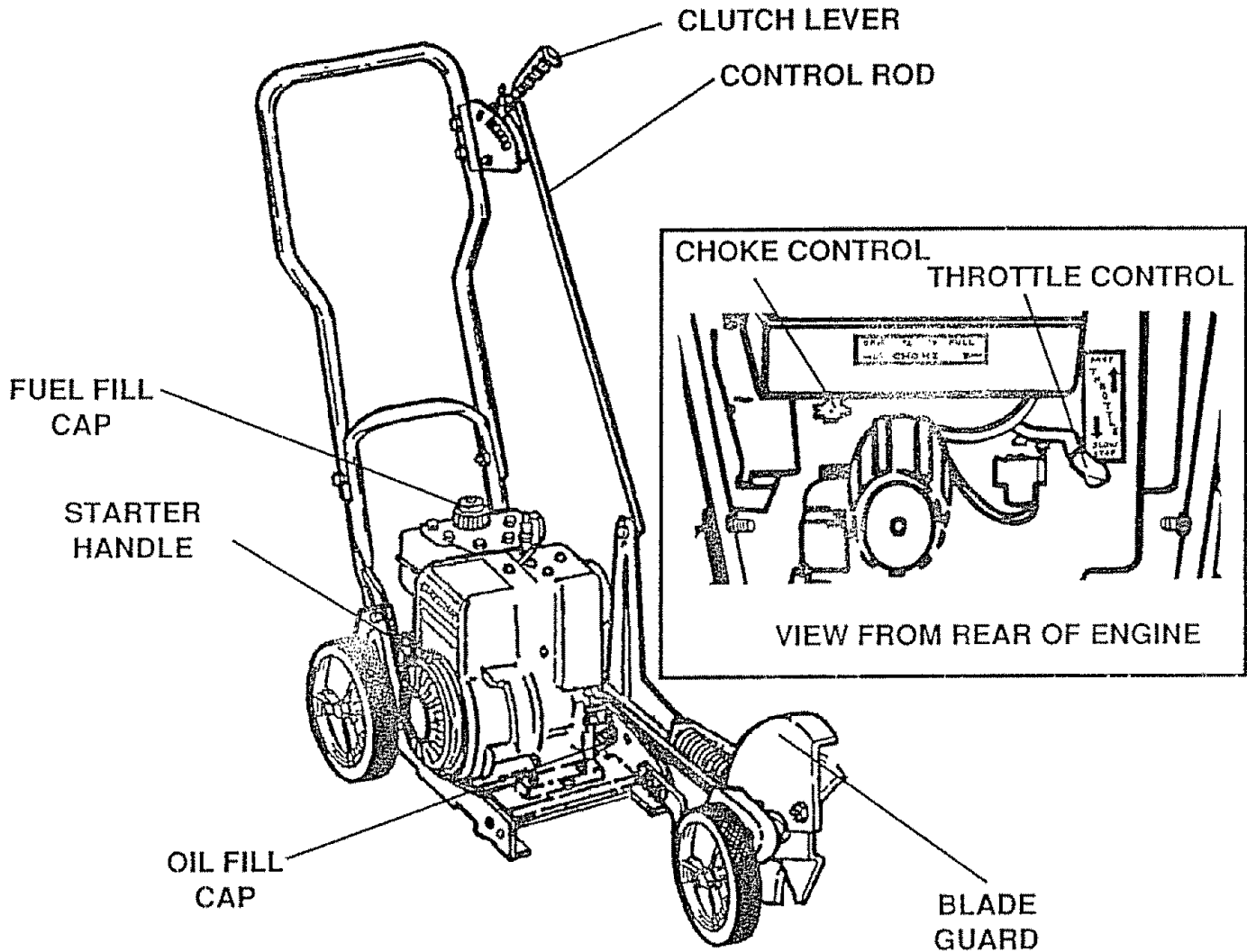


FIG. 6

SEARS EDGER conforms to the safety standards of the Underwriters Laboratories Inc.

THROTTLE CONTROL - Used to control the engine speed.

CHOKE CONTROL - Used to start the engine

STARTER HANDLE - The engine on this edger is equipped with an easy pull recoil starter.

CLUTCH LEVER - Used to start and stop the blade and control the depth of cut.

BLADE GUARD - Used to prevent stones or other material from being thrown at the operator.

OPERATION



The operation of this edger can result in foreign objects being thrown into the eyes, which can result in severe eye damage. Always wear safety glasses or eye shields while operating the edger. We recommend standard safety glasses or Wide Vision Safety Mask for over your glasses.



CAUTION: KEEP AWAY FROM THE ROTATING BLADE. THE BLADE CAN CAUSE INJURY.

FILL/ADD OIL:

The engine on this edger was shipped with little or no oil. Add oil before you start the engine. Place the edger on a level surface. Remove the oil fill cap (Fig. 7). Fill the engine crankcase to point of overflowing using about 21 ounces (1-1/4 pts) of Sears SAE 10W-30 motor oil or equivalent. Reinstall the oil fill cap.

FILL GAS:



CAUTION: GASOLINE IS FLAMMABLE AND CAUTION MUST BE USED WHEN HANDLING OR STORING IT. DO NOT FILL FUEL TANK WHILE EDGER IS RUNNING, HOT, OR WHEN EDGER IS IN AN ENCLOSED AREA. KEEP AWAY FROM OPEN FLAME, ELECTRICAL SPARK, AND DO NOT SMOKE WHILE FILLING THE FUEL TANK. NEVER FILL FUEL TANK COMPLETELY; BUT FILL THE TANK TO WITHIN 1/4 - 1/2 INCH FROM THE TOP TO PROVIDE SPACE FOR EXPANSION OF FUEL. ALWAYS FILL FUEL TANK OUTDOORS AND USE A FUNNEL OR SPOUT TO PREVENT SPILLING. MAKE SURE TO WIPE UP ANY SPILLED FUEL BEFORE STARTING THE ENGINE.

STORE GASOLINE IN A CLEAN, APPROVED CONTAINER, AND KEEP THE CAP IN PLACE ON THE CONTAINER. KEEP GASOLINE IN A COOL, WELL VENTILATED PLACE; NEVER IN THE HOUSE. NEVER BUY MORE THAN A 30 DAY SUPPLY OF GASOLINE TO ASSURE VOLATILITY. GASOLINE IS INTENDED TO BE USED AS A FUEL FOR INTERNAL COMBUSTION ENGINES; THEREFORE, DO NOT USE GASOLINE FOR ANY OTHER PURPOSE. SINCE MANY CHILDREN LIKE THE SMELL OF GASOLINE, KEEP IT OUT OF THEIR REACH BECAUSE THE FUMES ARE DANGEROUS TO INHALE, AS WELL AS BEING EXPLOSIVE.

Fill the fuel tank (See Fig. 7) with clean, fresh, unleaded grade automotive gasoline. Be sure that the container you pour the gasoline from is clean and free from dust or other foreign particles. Never use gasoline that may be stale from long periods of storage in the container.

Never use engine or carburetor cleaner products in the fuel tank or permanent damage that may occur.

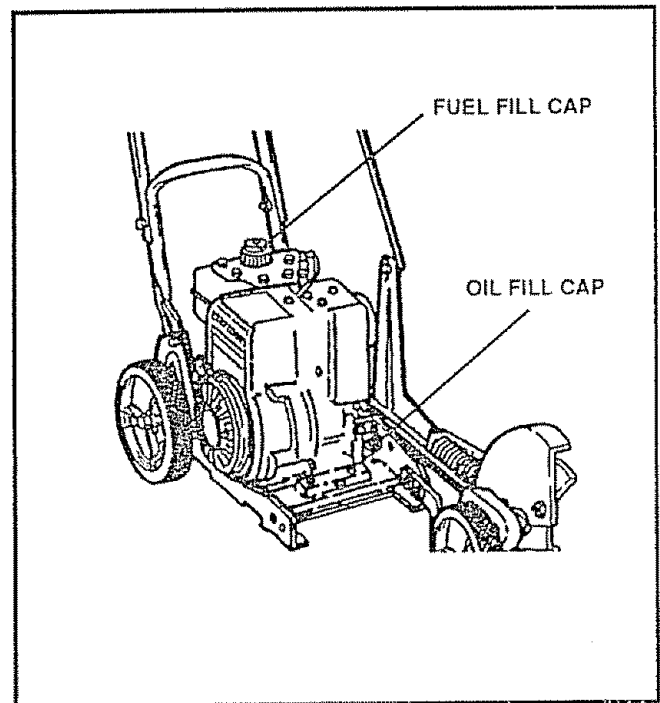


FIG. 7



CAUTION: NEVER FILL THE GAS TANK WHILE THE ENGINE IS RUNNING OR HOT. IMMEDIATELY WIPE OFF ANY SPILLED GASOLINE BEFORE ATTEMPTING TO START THE ENGINE.

OPERATION

PRE-USE CHECK OF CONTROLS

All controls should be checked for proper function before servicing or starting the engine.

- Move the clutch lever into all five (5) positions in the selector plate. Make sure the clutch lever snaps into all five (5) holes. (Fig. 6)
- Return the clutch lever to the rearmost hole in the selector plate.

TO START THE ENGINE

Before starting the engine, be sure you have read and understood all the instructions on the preceding pages. The edger is equipped with a recoil starter. The operation of the engine is controlled by the throttle control lever.

- Pull the clutch lever all the way back (or up to the rearmost hole) to raise and disengage the blade.
- Move the throttle control lever (See Fig. 6) to the FAST position.
- Move the choke control lever (See Fig. 6) to the Full choke position.

NOTE: A warm engine should not need to be choked.

- To start engine, grasp the starter handle firmly your right hand.
- Hold handle firmly with your left hand.
- Pull up sharply on the recoil starter handle. DO NOT allow the starter rope to snap back, let it rewind slowly while holding the starter handle.

NOTE: It will take a few pulls on the starter handle to feed gas from the fuel tank to the carburetor.

- When the engine starts, move the throttle control lever to the FAST position. To increase the engine speed, push the throttle control lever up. To decrease the engine speed push the throttle control lever down.

NOTE: The cutting blade speed is controlled by the engine speed. To reduce the cutting blade speed, push down on the throttle control lever. To increase the blade speed, push the throttle control lever up.

- To stop the engine, make sure the clutch lever is all the way back (or up) and move the throttle control lever to the STOP position.

EDGING OPERATION

- Start the engine and move the clutch lever forward (or down) to engage the cutting blade.
- Select the edging depth you need. There are 4 selections up to 2-3/4 inches deep.

IMPORTANT: IF VERY DEEP EDGING IS REQUIRED, WE RECOMMEND THAT A SHALLOW CUT BE MADE FIRST, THEN CUTS AT GREATER DEPTHS UNTIL THE DESIRED DEPTH IS OBTAINED.

KEEP THE EDGER CLEAN

Always remove the dirt and debris from the edger after each use. Check for loose or damaged parts after each use. Tighten any loose fasteners. Check the controls often to make sure they are functioning properly. See the Pre-Use Check of Controls paragraph in the Operation section of this manual.

If any adjustments are required, see the Adjustments/Repairs section of this manual. If any parts are worn or damaged, replace immediately. Contact the nearest SEARS Store or Service Center for proper original parts, as shown in the Repairs Parts section of this manual. Make repairs as instructed in Adjustments/Repairs section of this manual.



CAUTION: NEVER RUN THE ENGINE IN-DOORS OR IN A POORLY VENTILATED AREA. ENGINE EXHAUST CONTAINS CARBON MONOXIDE, AN ODORLESS GAS AND DEADLY GAS.

KEEP HANDS, FEET, HAIR AND LOOSE CLOTHING AWAY FROM ANY MOVING PARTS ON THE ENGINE OR EDGER.

WARNING - AVOID THE MUFFLER AND SURROUNDING AREAS (SEE FIG. 6). TEMPERATURES MAY EXCEED 150° F.

MAINTENANCE

The warranty on this edger does not cover items that have been subjected to operator abuse or negligence. To receive full value from the warranty, the operator must maintain the edger as instructed in this manual. The

following Maintenance Check List is supplied to assist the operator properly maintain the edger.

MAINTENANCE CHECK LIST		SERVICE RECORD					
		FILL IN DATES AS YOU COMPLETE REGULAR SERVICE					
BEFORE STORAGE							
BEGINNING EACH SEASON							
EVERY 25 HOURS OF USE							
EVERY 10 HOURS OF USE							
EVERY 5 HOURS OF USE							
FREQUENTLY							
BEFORE EACH USE							
AFTER FIRST 2 HOURS OF USE							
Check Engine Oil Level		⊗	⊗	⊗	⊗	⊗	
Change Engine Oil	⊗				⊗	⊗	
Tighten All Screws and Nuts	⊗		⊗				
Check Blade Wear/Damage			⊗				
Replace Air Cleaner Filter					⊗	⊗	
Check Spark Plug					⊗	⊗	
Check Drive Belt			⊗				
Lubricate all Pivot Points				⊗		⊗	
Lubricate Wheel Axles					⊗	⊗	

LUBRICATION

- Apply light machine oil after each 25 hours of use to all moving parts, particularly the wheels.
- The oil in the crankcase must be changed after the first 2 hours of operation and after each 25 hours of use thereafter.

NOTE: If the edger is being used in sandy or dusty areas, change the oil more frequently to prevent premature engine wear.

To change the crankcase oil:

- Disconnect the spark plug wire from the spark plug.
- Remove the oil drain plug (See Fig. 8) and drain the oil into a flat pan. After draining all the oil, reinstall the oil drain securely.

NOTE: The oil will drain more freely when the engine is warm.

- Remove the oil fill cap (See Fig. 7), and fill the crankcase to the point of overflowing, using about 1-1/4 pints of Sears SAE 10-W30 motor oil or equivalent.

Sears SAE 30 motor oil or equivalent may be used as an acceptable substitute. Reinstall the oil fill cap and tighten securely.

NOTE: The quill assembly bearings are factory sealed and will require no lubrication.

- Reconnect the spark plug wire on the spark plug

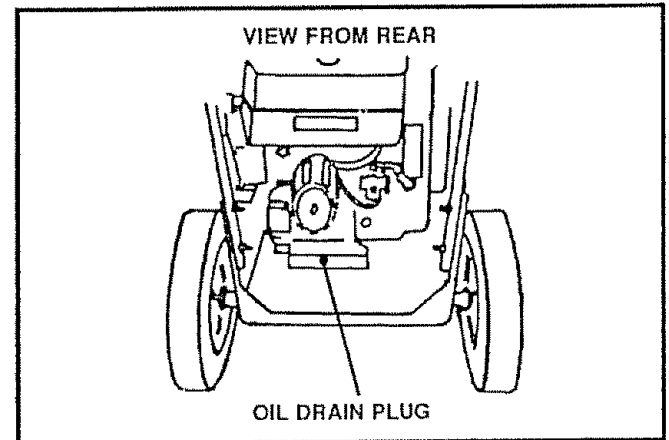


FIG. 8

MAINTENANCE

AIR CLEANER MAINTENANCE

Replace the filter once a year; more often under dusty or dirty conditions. **DO NOT** attempt to clean or oil the air filter.

To install a new air filter, do the following:

- Disconnect the spark plug wire from the spark plug. Turn the cover (See Fig. 9) to the left (counterclockwise) and remove the cover and the air filter from the flange.
- Discard the air filter.
- Clean the cover and the flange thoroughly.
- Insert the new air filter into the cover.
- Push the cover firmly against the flange and turn it to the right (clockwise) as far as it will go (See Fig. 9). Be sure the retainers are locked around the flange.
- Reconnect the spark plug wire.



CAUTION: NEVER RUN THE ENGINE WITHOUT THE AIR CLEANER ELEMENT INSTALLED. A DEFECTIVE AIR CLEANER CAN RESULT IN LOSS OF ENGINE POWER AND CAN CAUSE EXCESSIVE WEAR OR DAMAGE TO THE ENGINE COMPONENTS IF DIRT OR DUST IS PERMITTED TO ENTER THE ENGINE THROUGH THE CARBURETOR. A DAMAGED AIR CLEANER, OR ONE THAT IS CLOGGED WITH DUST OR DIRT SHOULD BE REPLACED IMMEDIATELY.

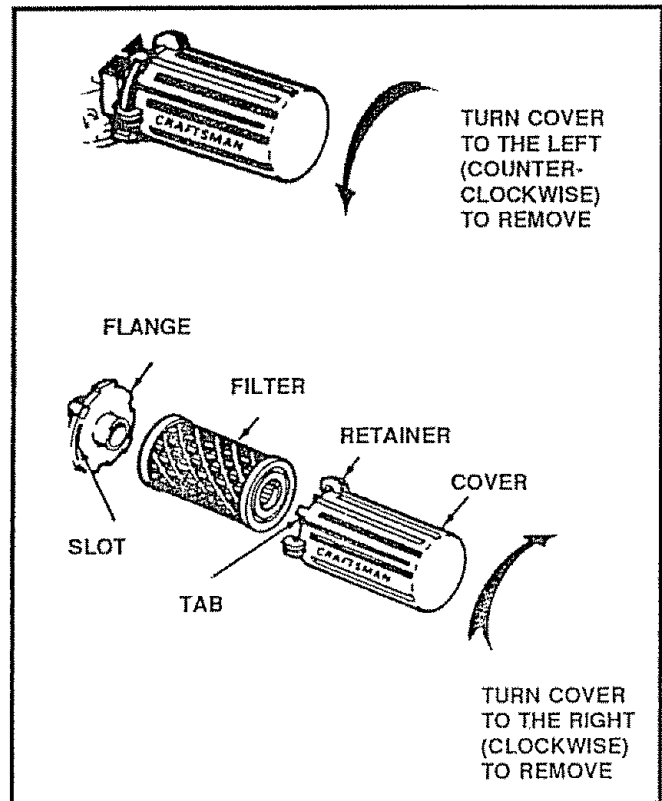


FIG. 9

SPARK PLUG MAINTENANCE

Clean the spark plug and reset the gap periodically. Clean the area around the spark plug base, before removal, to prevent dirt from entering into the engine. Replace the spark plug if the electrodes are pitted or burned or if the porcelain is cracked. Clean the spark plug by carefully scrapping the electrodes (do not sand blast or use a wire brush). Be sure the spark plug is clean and free of foreign material. Check the electrodes gap with a wire feeler gauge and reset to .035 if necessary. If a new spark plug is needed, refer to the Engine Operation and Maintenance manual for the proper replacement spark plug.

Before reinstalling the spark plug, coat the threads lightly with graphite to insure easy removal. Tighten the spark plug firmly into the engine. If a torque wrench is available, torque the spark plug to 15 foot-pounds.

SERVICE AND ADJUSTMENTS



CAUTION: ALWAYS STOP THE ENGINE AND DISCONNECT THE SPARK PLUG WIRE BEFORE MAKING ANY REPAIRS TO THE EDGER.



CAUTION: DO NOT ATTEMPT TO SHARPEN THIS BLADE. YOU COULD CAUSE DAMAGE TO THE BLADE WHICH COULD RESULT IN BREAKAGE AND POSSIBLE USER OR BYSTANDER INJURY.

V-BELT REPLACEMENT

Your edger is equipped with a V-belt made of a special compound. If the belt becomes worn or breaks, replace it with an **original equipment belt** as shown in the **Repair Parts** section of this manual. **NEVER USE A SUBSTITUTE.**

- Disconnect the spark plug wire from the spark plug.
- Pull the clutch lever back (or up) to release the tension from the belt.
- Remove the screws from the engine pulley cover (See Fig. 10) and remove the cover.

NOTE: Make sure the spacer on the screw does not become lost.

- Remove the front screw securing the belt guide (See Fig. 10) to the engine. Then loosen the rear screw and swing the belt guide away from the belt.
- Remove the three (3) screws from the belt guard (See Fig. 11).
- Remove the belt from the engine and quill assembly pulleys.
- Install the new belt in the reverse order of removal.
- Secure the belt guide loosened earlier.
- Reinstall the engine pulley cover and reconnect the spark plug wire.

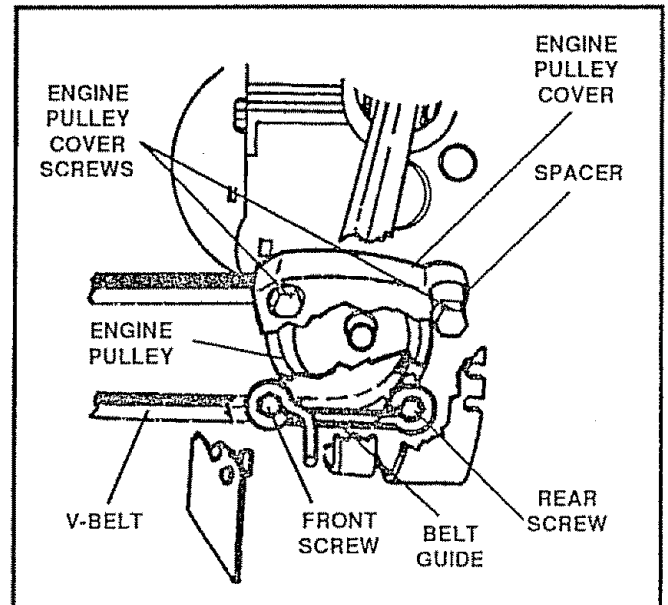


FIG. 10

BLADE REPLACEMENT

The cutting blade is subject to wear and damage such as nicks and dents. This will not generally effect its function.

This blade is specially designed to not require sharpening. **DO NOT ATTEMPT TO SHARPEN THIS BLADE.** The blade is reversible. If the nicks and dents are excessive, remove the blade, turn it around and reinstall. This will provide a fresh cutting edge. If worn or damaged the blade should be replaced.



CAUTION: WHEN REMOVING OR TIGHTENING THE BLADE NUT, ALWAYS USE THE METHOD SHOWN IN FIGURE 12. THE HOLDING WRENCH MUST ALWAYS BE POSITIONED BEHIND THE CUTTING BLADE. NEVER USE THE LOCKNUT ON THE PULLEY END, DAMAGE TO THE SHAFT OR BEARINGS COULD RESULT.

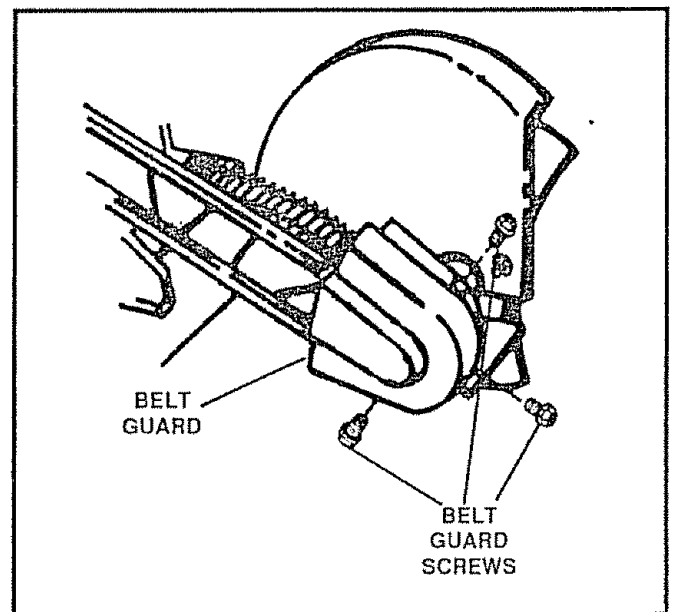


FIG. 11

SERVICE AND ADJUSTMENTS

To replace the blade, do the following:

- Disconnect the spark plug wire.
- Remove the flange nut (See Fig. 12) securing the blade to the drive shaft.
- Remove the blade.
- Install the new blade and tighten the nut securely,
- Reconnect the spark plug wire.

CARBURETOR ADJUSTMENT

IMPORTANT: NEVER ATTEMPT TO CHANGE THE MAXIMUM ENGINE SPEED. EXCESSIVE SPEEDS CAUSED BY BY-PASSING THE GOVERNOR CAN CAUSE DAMAGE TO THE ENGINE.

Never make unnecessary adjustments to the carburetor. The carburetor was set at the factory to operate efficiently for most applications. However, if adjustments are required, we recommend that you contact a competent repairman such as at a SEARS Service Center. If you feel that you are competent to make the carburetor adjustments, do the following:

- Turn the high-speed adjustment needle (see Fig. 13) clockwise to "finger tight" only. Use a regular screwdriver to turn the idle speed adjustment needle clockwise.

IMPORTANT: THE NEEDLES AND/OR SEATS CAN BE DAMAGED IF OVERTIGHTENED.



CAUTION: USE EXTREME CARE WHEN MAKING ADJUSTMENTS THAT REQUIRE THE ENGINE TO BE RUNNING. KEEP HANDS, FEET, HAIR AND LOOSE CLOTHING AWAY FROM ANY MOVING PART.

- Turn the high-speed and the idle-speed adjustment needles counterclockwise one (1) turn. This adjustment will allow the engine to be started.
- Start the engine and move the throttle control lever to FAST position and allow the engine to warm up.
- Turn the high-speed adjustment needle counterclockwise until the engine starts to cut off. Note the position of the high-speed adjustment needle.
- Turn the high-speed adjustment needle clockwise until the engine starts to cut off. Note the position of the high-speed adjustment needle.
- Turn the high-speed adjustment needle half way between the two cut off points.
- Move the throttle control lever to the idle speed.

- Adjust the idle-speed adjustment needle in the same manner as the high-speed adjustment needle.

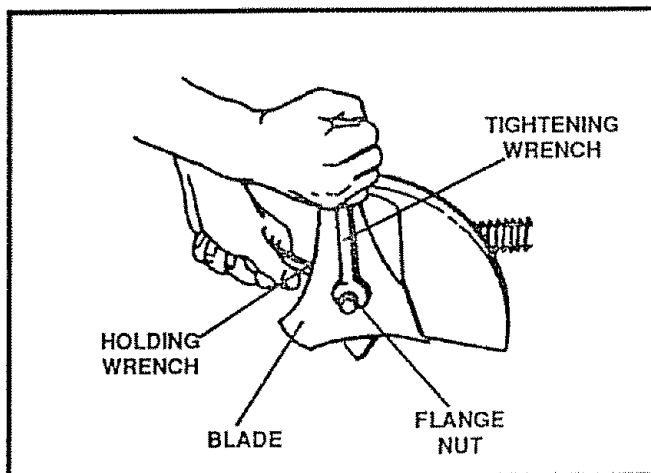


FIG. 12

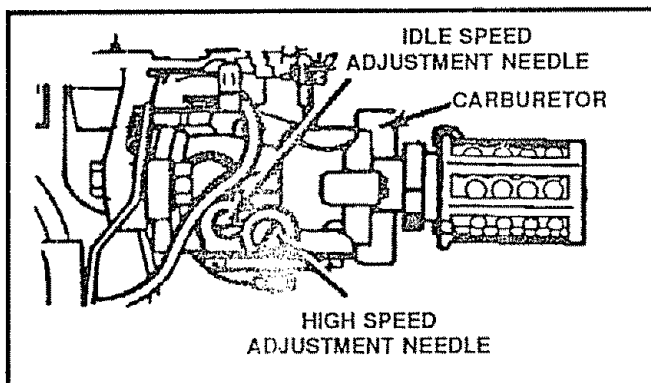


FIG. 13

TROUBLE SHOOTING

TROUBLE	CAUSE	CORRECTION
Difficult starting	Stale fuel	Drain fuel tank. Fill with fresh fuel.
	Defective spark plug	Clean and re-gap spark plug.
Engine runs erratic	Clogged fuel filter	Replace fuel filter.
	Blocked fuel line or empty fuel tank	Clean fuel line; check gas tank.
	Carburetor out of adjustment	Have carburetor adjusted.
	Fouled spark plug	Clean and adjust gap.
	Clogged air cleaner	Tap clean or replace air cleaner.
Cutting blade fails to turn	Jammed due to foreign object	Clear obstruction.
	Loose blade	Tighten blade retaining nut.
	Defective V-belt	Replace the V-belt.
	Defective quill bearings	Replace the bearings.
Blade fails to cut properly	Damaged or worn blade	Reverse blade or replace blade.
Excessive vibration	Loose parts	Stop engine immediately; tighten all bolts. If vibration continues, take the unit into the nearest SEARS Service Center.

STORAGE



CAUTION: NEVER STORE YOUR EDGER INDOORS OR IN AN ENCLOSED, POORLY VENTILATED AREA IF GASOLINE REMAINS IN THE TANK. FUMES MAY REACH AN OPEN FLAME, SPARK OR PILOT LIGHT FROM A FURNACE, WATER HEATER, CLOTHES DRYER, CIGARETTE, ETC.

To prevent engine damage (if edger is not used for more than 30 days) follow the steps below.

ENGINE STORAGE

Gasoline must be removed or treated to prevent gum deposits from forming in the tank, filter, hose, and carburetor during storage. Also during storage, alcohol blended gasoline that uses ethanol or methanol (sometimes called gasohol) attracts water. It acts on the gasoline to form acids which damage the engine.

- To remove gasoline, run the engine until the tank is empty and the engine stops.
- If you do not want to remove gasoline, a fuel stabilizer (such as Sears Craftsman fuel stabilizer No. 33500) may be added to any gasoline left in the tank to minimize gum deposits and acids. If the tank is almost empty, mix stabilizer with fresh gasoline in a separate container and add some to the tank. **ALWAYS FOLLOW INSTRUCTIONS ON STABILIZER CONTAINER. THEN RUN ENGINE AT LEAST 10 MINUTES AFTER STABILIZER IS ADDED TO ALLOW MIXTURE TO REACH CARBURETOR. STORE EDGER IN A SAFE PLACE. SEE WARNING ABOVE.**
- Store the edger in the wheels-down, operating position. If the edger is stored in any other position, oil from the crankcase could enter the cylinder, causing a service problem.

You can keep your engine in good operating condition during storage by:

- Changing oil.
- Lubricating the piston/cylinder area. This can be done by first removing the spark plug and squirting clean engine oil into the spark plug hole. Then cover the spark plug hole with a rag to absorb oil spray. Next, rotate the engine by pulling the starter two or three times. Finally, reinstall spark plug and attach spark plug wire.

EDGER STORAGE

Clean the edger thoroughly; remove all debris and wipe the unit dry.

Inspect the edger for worn or damaged parts and tighten all loose hardware.

Oil all points described in the Lubrication paragraph in the Maintenance section of this manual.

Store the edger in a protected area and cover for additional protection.

IMPORTANT: A YEARLY CHECKUP OR TUNEUP BY A SEARS SERVICE CENTER IS A GOOD WAY OF INSURING THAT YOUR EDGER WILL PROVIDE MAXIMUM PERFORMANCE FOR THE NEXT SEASON.

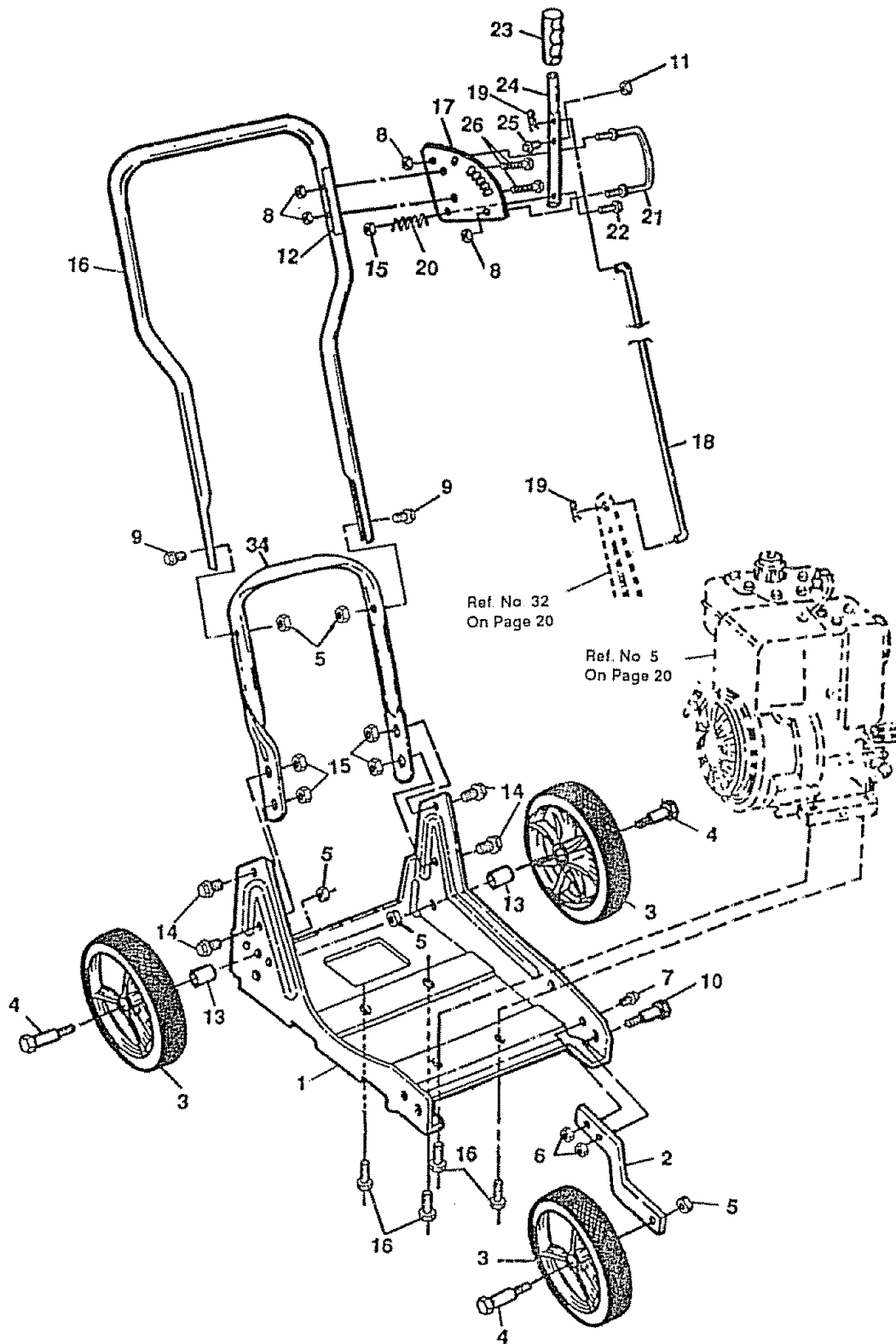
REPAIR PARTS

FOR

CRAFTSMAN EDGER

MODEL 536.797510

CRAFTSMAN 9" - 2.5 H.P. EDGER 536.797510



NOTE: ALWAYS USE ORIGINAL EQUIPMENT PARTS. Use of service/replacement parts other than original parts may void your warranty.

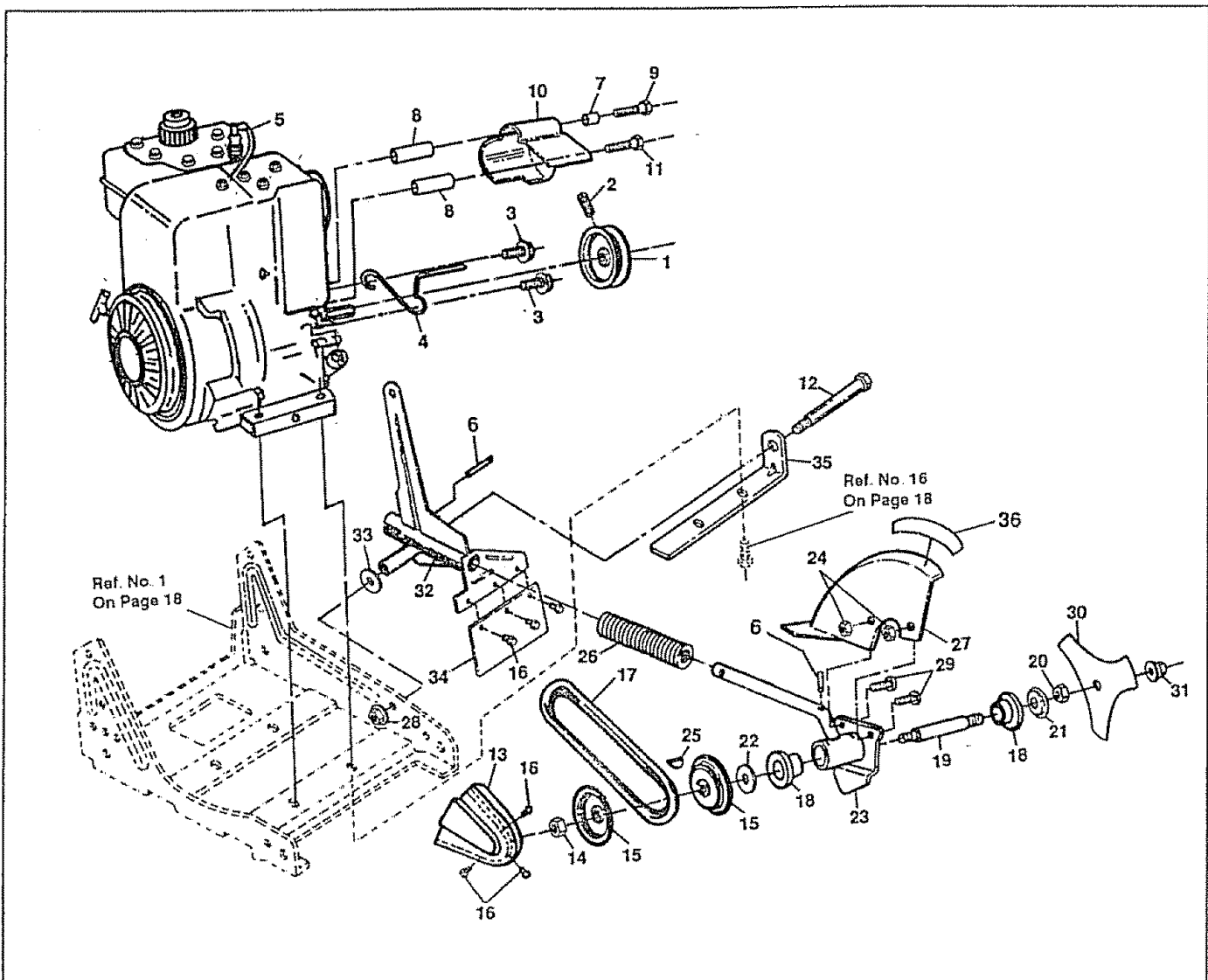
ALL UNNUMBERED ITEMS ARE INTERCHANGEABLE WITH OPPOSITE SIDE

CRAFTSMAN 9" - 2.5 H.P. EDGER 536.797510

REF. NO.	PART NO.	PART NAME	REF. NO.	PART NO.	PART NAME
1	313248	Edger Frame	25	310053	Stud
2	6950	Front Wheel Arm	26	121926	* Screw, 1/4-2 x 1-1/2 In
3	312409	Wheel and Tire Assembly	27	308408	Owner's Manual (Not Illustrated)
4	23763	Shoulder Bolt 3/8-16 x 1.390 In.			
5	45171	Nut, Wide Fl Lock, 3/8-16 Thd.			
6	120376	* Nut, Hex, 5/16-18 Thd.			
7	122007	* Screw, 5/16-18 x 3/4 In.			
8	9424215	Nut, Lock, 1/4-20 Thd.			
9	122040	Screw, 5/16-18 x 3/4			
10	309902	Shoulder Bolt, 5/16-18 Thd.			
11	9413534	* Nut, Hex, 3/8-16 Thd.			
12	312548	Decal, Height Adjust			
13	21882	Spacer			
14	51333	* Screw, Hex Wide Flange, 5/16-18 x 5/8 In.			
15	9413447	Nut, Reg Hex 5/16-18 Thd.			
16	310147	Upper Handle			
17	310623	Selector Plate			
18	308245	Control Rod			
19	36368	Hair Pin			
20	25644	Spring			
21	311670	Lever Strap			
22	122017	* Screw, 5/16-18 x 1 In			
23	56924	Handle, Grip			
24	310055	Handle, Depth Adjust			

(* Standard Hardware Items - May Be Purchased Locally)

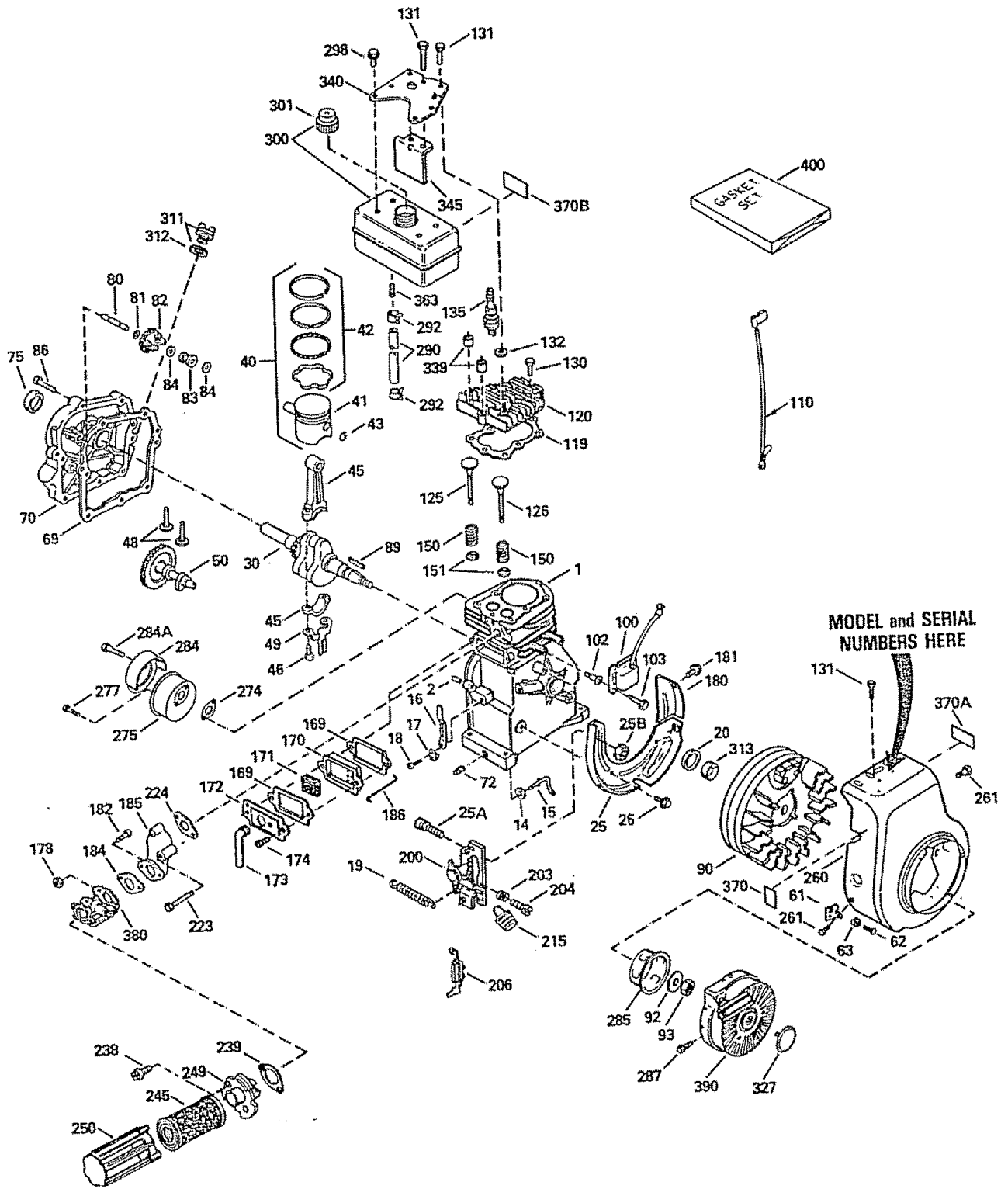
CRAFTSMAN 9" - 2.5 H.P. EDGER 536.797510



REF. NO.	PART NO.	PART NAME
1	32689	Engine Pulley
2	102580	Set Screw, 5/16-18 x 1/4 In.
3	313011	Screw and Washer Assembly
4	309448	Belt Guide
5	312165	Engine, Craftsman 4-Cycle Model No 143 804082
6	412281	Spring Pin
7	308237	Spacer
8	53407	Spacer
9	430464	Screw, HHC, 5/16-18 x 3-3/4 In.
10	309300	Engine Pulley Cover
11	181624	Screw, HHC, 5/16-24 x 3 In.
12	308254	Shoulder Bolt, 3/8-16 Thd.
13	308262	Belt Guard
14	274654	Locknut, 1/2-20 Thd.
15	305634	Pulley, Half
16	411666	Screw, Tap, #10-16 x 1/2 In.
17	8869	V-Belt
18	43846	Ball Bearing
19	48697	Drive Shaft

REF. NO.	PART NO.	PART NAME
20	120371	Nut, 1/2-20 Thd
21	4935	Shield Washer
22	996418	Flatwasher
23	308349	Quill Arm Assembly
24	9413447	Nut, 5/16-18 Thd
25	35075	Hi-Pro Key
26	309301	Compression Spring
27	313247	Blade Guard
28	9413534	Nut, 5/16-18 Thd.
29	455999	Carriage Bolt, 5/16-18 x 5/8 In.
30	308502	Blade
31	46023	Nut, Wide Flange, 1/2-20 Thd
32	308540	Quill Support Assembly
33	49998	Flatwasher
34	308243	Deflector
35	309360	Strap
36	312564	Decal, Blade Cover

CRAFTSMAN 4-CYCLE ENGINE MODEL: 143.804082



CRAFTSMAN 4-CYCLE ENGINE MODEL: 143.804082

Ref. No.	Part No.	Part Name	Ref. No.	Part No.	Part Name
1	34708A	Cylinder Assy. (Incl. Nos. 2, 20 & 72)	150	31672	Spring, Valve
2	26727	Pin, Dowel	151	31673	Cap, Valve spring
14	28277	Washer, Flat	169	*27234A	Gasket, Breather
15	31334	Rod, Governor	170	27666	Body, Valve cover
16	31336	Lever, Governor	171	31410	Element, Breather
17	31335	Clamp, Governor lever	172	34146	Cover, Breather
18	650548	Screw, Hex washer hd., 8-32 x 5/16	173	35350	Tube, Breather
19	34593	Spring, Extension	174	650128	Screw, Hex hd. Sems, 10-24 x 1/2
20	32600	Seal, Oil	178	29752	Nut & Lockwasher, 1/4-28
25	133342	Baffle, Blower housing	179	30593	Clip, Ground wire
25A	†650139	Screw, Fil. hd. Sems, 8-32 x 1/2	180	33341	Extension, Baffle
25B	130332	Locknut, Hex "Keps", 8-32	181	650884	Screw, Hex washer hd., 8-32 x 1/2
26	650561	Screw, Hex washer hd. Durlok, 1/4-20 x 5/8	182	6201	Screw, Hex hd., 1/4-28 x 7/8
30	34730	Crankshaft Assy.	184	*31688A	Gasket, Carburetor
40	34514	Piston, Pin & Ring Assy. (Std.) (Incl. Nos. 41, 42 & 43)	185	34597	Pipe, Intake
40	34515	Piston, Pin & Ring Assy. (.010 oversize) (Incl. Nos. 41, 42 & 43)	186	31341	Link, Governor to throttle
40	34516	Piston, Pin & Ring Assy. (.020 oversize) (Incl. Nos. 41, 42 & 43)	200	†33838A	Control Assy., Speed (Incl. Nos. 203 thru 206, 25A & 25B)
41	32538B	Piston & Pin Assy. (Std.) (Incl. No. 43)	203	31342	Spring, Compression
41	32548B	Piston & Pin Assy. (.010 oversize) (Incl. No. 43)	204	650549	Screw, Fil. hd., 5-40 x 7/16
41	32549B	Piston & Pin Assy. (.020 oversize) (Incl. No. 43)	206	610973	Terminal Assy.
42	28986	Ring Set, Piston (Std.)	215	32410	Knob, Speed control
42	28987	Ring Set, Piston (.010 oversize)	223	650451	Screw, Hex hd. Sems, 1/4-20 x 1
42	28988	Ring Set, Piston (.020 oversize)	224	*32649A	Gasket, Intake to cylinder
43	20381	Ring, Piston pin retaining	238	650932	Screw, Hex washer hd. shoulder, 10-32 x 49/64
45	30963B	Rod Assy., Connecting (Incl. Nos. 46 & 49)	239	*34338	Gasket, Air cleaner
46	32610A	Bolt, Connecting rod	245	35066	Filter, Air cleaner (paper)
48	27241	Lifter, Valve	249	35797	Collar, Air cleaner
49	28594	Dipper, Oil	250	35065	Cover, Air cleaner
50	33149A	Camshaft (Compression Release)	260	35585	Housing, Blower
69	*27677A	Gasket, Cylinder cover	261	29212	Screw, Hex hd. Sems, 1/4-28 x 7/16
70	30941D	Cover, Cylinder (Incl. Nos. 75, 80, 311 & 312)	274	*30081A	Gasket, Exhaust
72	27642	Plug, Pipe (1/4-18)	275	30996	Muffler
75	26208	Seal, Oil	277	650493	Screw, Hex hd. Sems, 1/4-20 x 1-3/4
80	30574	Shaft, Mechanical governor	284	30997	Cover, Muffler
81	35479	Washer, Flat	284A	650665	Screw, Hex washer hd thread cutting, 1/4-15 x 7/8
82	30591	Gear, Governor (Incl. No. 81)	285	34694	Cup, Starter
83	30588A	Spool, Governor	287	650884	Screw, Hex washer hd., 8-32 x 1/2
84	29193	Ring, Retaining	290	29774	Line, Fuel
86	650488	Screw, Hex hd. Sems, 1/4-20 x 1-1/4	292	26460	Clamp, Fuel line
89	610961	Key, Flywheel	298	650665	Screw, Hex washer hd. thread cutting, 1/4-15 x 7/8
90	611080	Flywheel	300	32660A	Tank Assy., Fuel (Incl. Nos. 292 & 301)
92	650815	Washer, Belleville	301	33032	Cap Assy., Fuel
93	650816	Nut, Flywheel	311	27625	Plug Assy., Oil (Incl. No. 312)
100	34443A	Solid State Assy.	312	*29673	Gasket, Oil plug
102	650872	Stud, Solid state mounting	313	34080	Spacer, Flywheel key
103	650814	Screw, Torx hex washer hd. Sems, 10-24 x 1	327	35392	Plug, Starter
110	35182	Wire, Ground	339	28212	Spacer, Tank bracket
119	29953C	Gasket, Cylinder head	340	32661	Bracket, Fuel tank mounting
120	30579A	Head, Cylinder (Incl. No. 131)	345	32664	Baffle, Heat
125	29313C	Valve, Exhaust (Std.) (Incl. No. 151)	370	35344	Decal, Throttle
125	29315C	Valve, Exhaust (1/32" oversize) (Incl. No. 151)	370A	34346	Decal, Lubrication
126	29314B	Valve, Intake (Std.) (Incl. No. 151)	370B	34150	Decal, Choke
126	29315C	Valve, Intake (1/32" oversize) (Incl. No. 151)	380	632208	Carburetor (Incl. No. 184)
130	6021A	Screw, Hex flange hd., 5/16-18 x 1-1/2	390	590642	Starter, Rewind
131	650694A	Screw, Hex flange hd. 5/16-18 x 2	400	33233A	Gasket Set (Incl. items marked *)
132	650708	Washer, Flat			RPM Setting: Low 1850; High 3450
135	33636	Plug, Spark (Champion J-8C or equivalent)			*Indicates Parts Included in Gasket Set, Ref. No. 400.

†In original production, the speed control assembly is riveted to the blower housing baffle. Replacement speed control assembly includes screws and nuts for mounting. Replacement baffle has threaded holes.

CRAFTSMAN 4-CYCLE ENGINE MODEL: 143.804082

CARBURETOR NO. 632208

Ref. No.	Part No.	Part Name
	632208	Carburetor
1	631615	Shaft & Lever Assy., Throttle
2	631767	Spring, Throttle return
3	631036	Shutter, Throttle
4	650506	Screw, Throttle & Choke shutter
5	630766	Spring, Idle regulating screw
6	650417	Screw, Idle regulating
7	31841	Shaft & Lever Assy., Choke
8	630735	Spring, Choke positioning
9	630758	Shutter, Choke
10	631562	Screw, Idle adjustment
11	630738	Spring, Adjustment screw
12	630739	Washer, Adjustment screw
13	*630740	"O" Ring, Adjustment screw
14	630737	Screw, Main adjustment
15	*630748	Plug, Welch
16	632164	Fitting, Fuel
17	*630746	Plug, Welch
18	631049	Spring, Needle valve
19	630742	Gasket, Needle valve seat
20	*630932A	Inlet Needle, Seat, Gasket & Spring Assy. (Incl. Nos. 18 & 19)
21	630750	Gasket, Diaphragm
22	*630978	Diaphragm Assy., (Incl. No. 21)
23	630751	Cover, Diaphragm
24	650545	Screw, Pan flex hd., 6-32 x 3/8
25	632042	Spring, Choke return
26	631184	Washer, Flat
27	631971	Seal, Dust
28	631183	Washer, Felt
29	631893	Repair Kit (Includes items marked *)

REWIND STARTER NO. 590642

Ref. No.	Part No.	Part Name
	590642	Starter, Rewind
1	590599A	Pin, Spring (Incl. No. 4)
2	590600	Washer
3	590615	Retainer
4	590601	Washer
5	590598	Spring, Brake
6	590616	Dog, Starter
7	590617	Spring, Dog
8	590618	Pulley
9	590619	Spring, Rewind
10	590620	Cover, Spring
11	590643	Housing Assy., Starter
12	590535	Rope, Starter (Length 62" & 9/64" dia.)
13	590452	Handle, Starter

SEARS

OWNER'S MANUAL

MODEL NO. 536.797510

HOW TO ORDER REPAIR PARTS

CRAFTSMAN®

9 INCH - 2.5 HORSEPOWER EDGER

Each EDGER has its own MODEL NUMBER on a model plate on the frame behind the engine.

Each ENGINE has its own MODEL NUMBER found on the BLOWER HOUSING.

Always mention these MODEL NUMBERS when requesting service or Repair Parts for your EDGER.

All parts listed herein may be ordered through any Sears Service Center/Departments and most Sears Stores.

WHEN ORDERING REPAIR PARTS, ALWAYS GIVE THE FOLLOWING INFORMATION:

- * PRODUCT - "EDGER"
- * MODEL NUMBER - 536.797510
- * ENGINE MODEL NUMBER - 143.804082
- * PART NUMBER
- * PART DESCRIPTION

"Your Sears merchandise has added value when you consider that Sears has service units nationwide staffed with Sears trained technicians...Professional technicians specifically trained on Sears Products, having the parts, tools and equipment to insure that we meet our pledge to you...we service what we sell."

SEARS, ROEBUCK AND CO., Chicago IL 60684